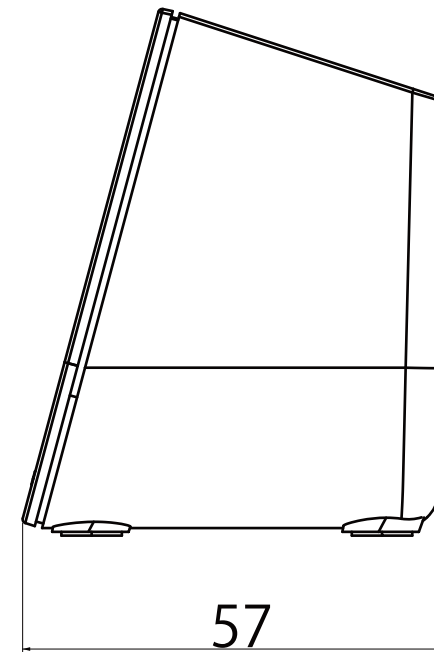
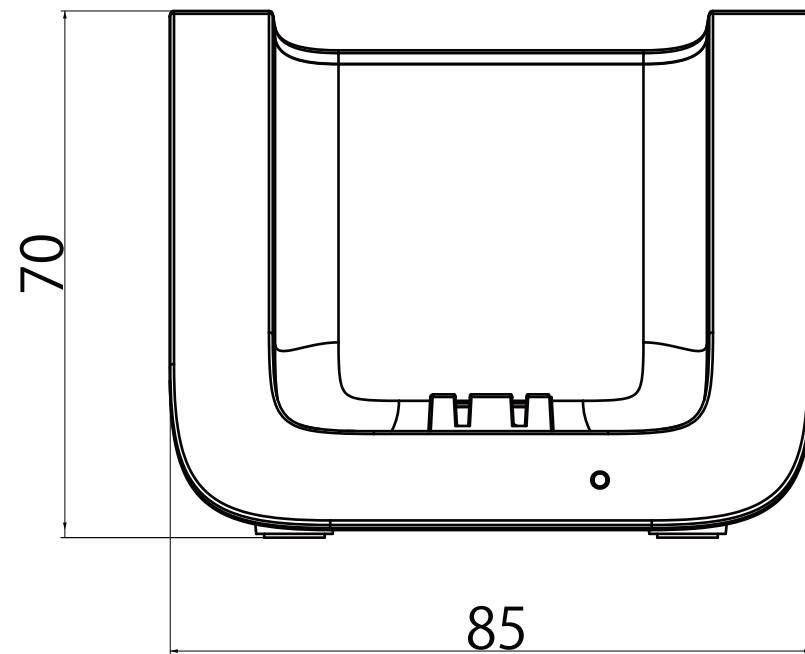
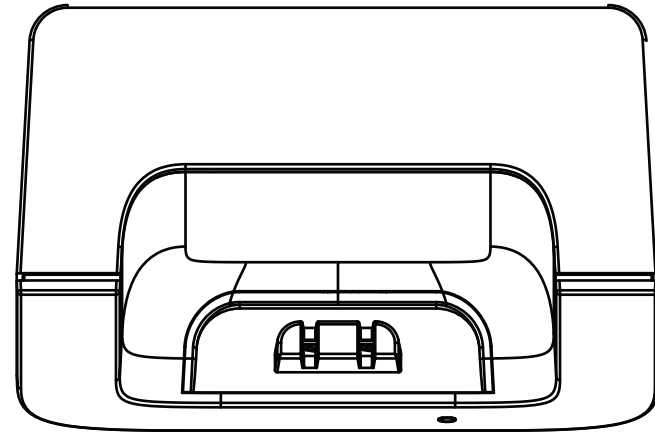



REV.	DATE	DESCRIPTION	DRAWN
A	2015.06.02	Initial Release	ONO
B	2023.11.17	Change dimension position	ONO



**ELPA** 朝日電器株式会社 **ASAHI ELECTRIC CO,LTD**

MACHINE NAME	DHS-J1 充電台	PROJECTION		DATE	2023.11.17		
DRAWING NAME		SCALE	1 : 1	SHEET	1 of 1	SIZE	A3
DRAWING No.		MATERIAL		DESIGNED	ONO	APPROVED	